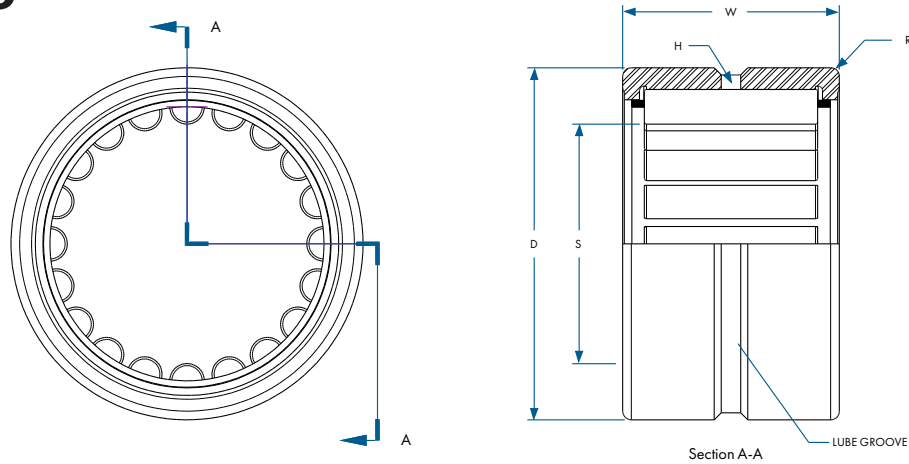


MR Series



BEARING NUMBER	S		D		W	H	R	HSG. BORE DIA.			STATIC LOAD RATING (lbs.)	BASIC DYNAMIC RATING (lbs.)	
	SHAFT DIA.		+0.000	TOL.	+0.00; -0.005	HOLE DIA.	MAX FILLET FOR HOUSING	ROTATING HOUSING	TOL. +0.00-0	STATIONARY HOUSING			TOL. +0.00-0
	+0.000	TOL.											
MR-10-N	0.6250		1.1250		0.75	5/64	0.025	1.1247		1.1257		4300	4320
MR-10					1							6500	5930
MR-12-N	0.7500		1.2500		0.75	5/64	0.040	1.2497		1.2507		5400	4990
MR-12					1							8100	6830
MR-14-N	0.8750		1.3750	-0.0005	0.75	5/64	0.040	1.3747		1.3757		6000	5280
MR-14					1							9000	7240
MR-16-N	1.0000		1.5000		0.75	5/64	0.040	1.4997		1.5007		7100	5840
MR-16					1							10600	8000
MR-18-N	1.1250		1.6250		1	3/32	0.040	1.6247		1.6257		12200	8720
MR-18					1.25							16300	10900
MR-20-N	1.1250		1.7500		1	3/32	0.040	1.7497		1.7507		13100	9020
MR-20					1.25							17500	11300
MR-22-N	1.3750		1.8750		1	3/32	0.040	1.8747		1.8757		14700	9640
MR-22					1.25							19700	12100
MR-24-N	1.5000		2.0625		1	3/32	0.060	2.0621	-0.0007	2.0632	-0.0007	15500	10300
MR-24					1.25							20800	13000
MR-26-N	1.6250	-0.0005	2.1875		1	3/32	0.060	2.1871		2.1882		16400	10600
MR-26					1.25							22100	13300
MR-28-N	1.7500		2.3125		1	3/32	0.060	2.3121		2.3132		18100	11200
MR-28					1.25							24400	14100
MR-30-N	1.8750		2.4375	-0.0006	1	3/32	0.060	2.4371		2.4382		19000	11400
MR-30					1.25							25600	14400
MR-31	1.9375		2.5000		1.25	3/32	0.060	2.4996		2.5007		22400	12400
MR-32-N	2.0000		2.5625		1	3/32	0.060	2.5621		2.5632		20700	12000
MR-32					1.25							27900	15200
MR-36-N	2.2500		3.0000		1.5	1/8	0.060	2.9996		3.0007		39100	22400
MR-36					1.75							47400	26000
MR-40-N	2.5000		3.2500		1.5	1/8	0.080	3.2496		3.2507		42900	23400
MR-40					1.75							52100	27200
MR-44-N	2.7500		3.5000		1.5	1/8	0.080	3.4995		3.5008		46700	24500
MR-44					1.75							56700	28400
MR-48-N	3.0000		3.7500	-0.0008	1.5	1/8	0.080	3.7495		3.7508		52300	26100
MR-48					1.75							63400	30300
MR-52	3.2500		4.2500		1.75	3/16	0.080	4.2495	-0.0010	4.2508	-0.0010	64400	29900
MR-56-N	3.5000		4.5000		1.75	3/16	0.080	4.4995		4.5008		71600	31300
MR-56					2							83500	35900
MR-60	3.7500		4.7500		2	3/16	0.100	4.7495		4.7508		87100	36500
MR-64	4.0000		5.0000		2	3/16	0.100	4.9999		5.0011		93800	38000
MR-68	4.2500		5.2500		2	3/16	0.100	5.2499		5.2511		101000	39500
MR-72	4.5000	-0.0007	6.0000	-0.0010	2.25	3/16	0.100	5.9999	-0.0015	6.0011	-0.0015	130000	60300
MR-80	5.0000		6.5000		2.25	3/16	0.100	6.4999		6.5011		148000	64600